

Instruction:

Installation of PV structures - roofing felt/shingles

Tools needed:



Allen key size 6



Cordless Drill



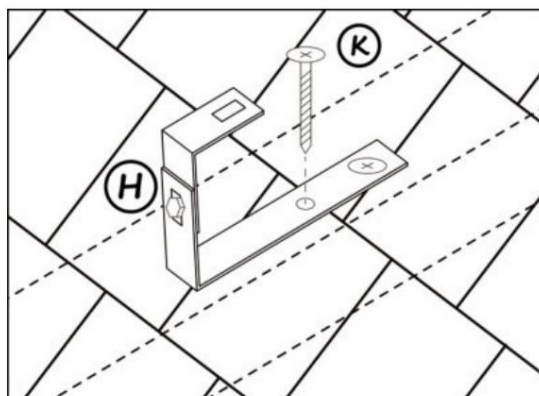
key size 15

Construction elements:

NAME	CODE	
A - Aluminum profile	PV-01-06	
B - Nut M10	PV-13-02	
C - Sliding nut	PV-05	
D - Hammer screw	PV-12-08	
E - Allen Screw	PV-10-01	
F - Terminal clamp	PV-03-01	
G- Profile Connector	PV-18-01	
H - Roof hook	PV-08-15	
I - Central clamp	PV-04-01	
J - Earthing washer	PV-20-01	
K - Wood screw	PV-16-01	

Installation:

1. Locate the rafters on the roof and screw directly to roofing felt/shingle brackets (H) with two screws (K). Optional roof brackets glue them with roofing felt adhesive. cold adhesive. The adhesive will additionally seal the joint.

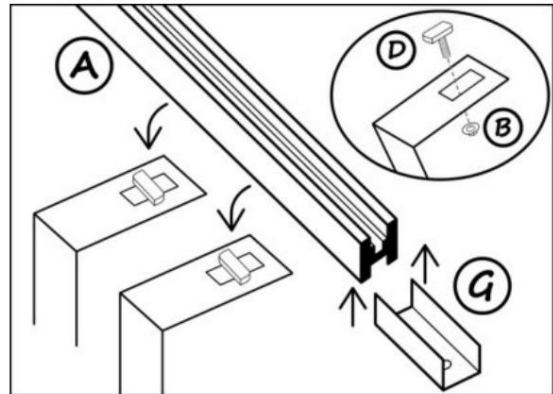


Instruction:

Installation of PVC structures - roofing felt/shingles

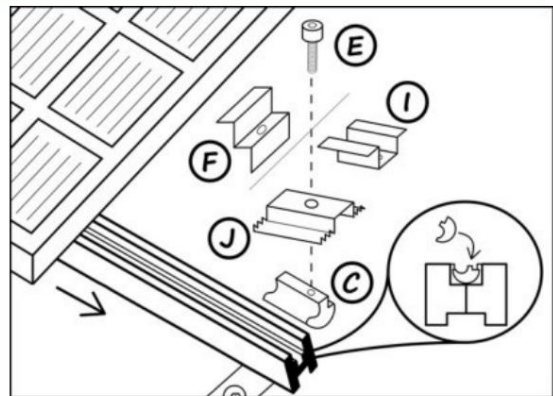
2.

Place the hammer bolts (D) onto the screwed brackets, tightening them slightly with the nuts (B). When all hammer bolts are in place, place the aluminium profiles (A) on them and tighten. Connect the aluminium profiles to each other using the connector (G) and the hammer bolts with nuts.



3.

Insert nuts into the aluminium profiles. Insert the sliding nuts (C) into the aluminium profiles. screws (E), lightly screw on the end (F) and centre (I) clamps with washer. end (F) and centre (I) clamps together with the washer. After positioning the photovoltaic panels in position, tighten the allen screws. Allen screws.



This manual is a set of rules for the correct assembly of structure elements, it does not constitute a design or its substitute. The installer performing the installation must be properly trained and have appropriate authorizations for the work performed. The entire responsibility for proper installation rests with the installer, who should select the appropriate type of structure and assess the strength of the roof.