

Instruction:

Installation of the PV structure - trapezoidal sheet

Tools needed:



Allen key size 6



Cordless Drill

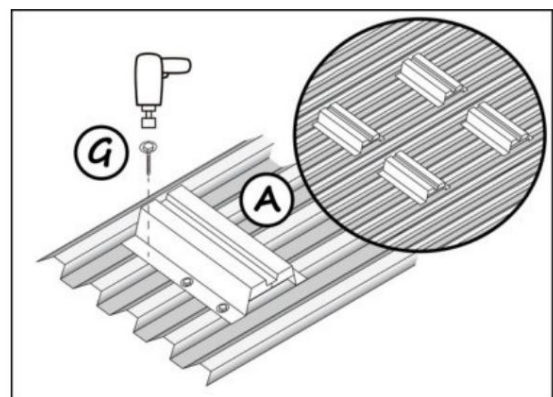
Construction elements:

NAME	CODE	
A - Trapezoidal Bridge	PV-02-01	
B - Sliding nut	PV-05	
C - Allen screw	PV-10-01	
D - Terminal clamp	PV-03-01	
E - Center clamp	PV-04-01	
F - Earthing washer	PV-20-02	
G - Self-drilling screw	PV-16-01	

Installation:

1.

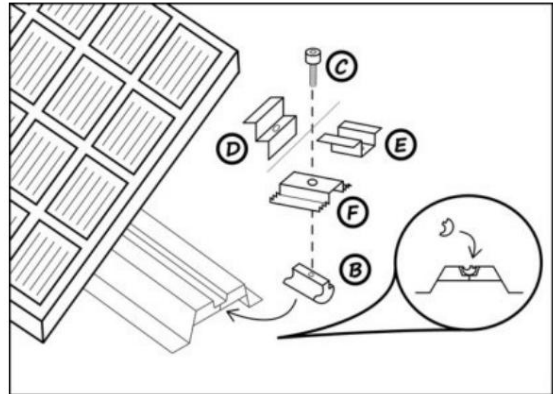
Arrange and screw to the sheet metal trapezoidal bridges (A). Each bridge should be screwed with at least 4 screws (G) and rest on at least two upper waves of the sheeting.



Instruction:

Installation of the PV structure - trapezoidal sheet

2. Insert nuts into the screwed-in bridges square nuts (B). Then, using the screws (C), screw the end (D)/center (E) clamps gently together with the end (D)/centre (E) clamps together with grounding washers (F). Place the PV panels into position and tighten the the clamps.



These instructions are a set of rules for the correct installation of construction elements, It is not a blueprint or a substitute for it. The installer performing the assembly must be properly trained and certified for the work to be carried out. The installer is solely responsible for correct assembly, The installer should select the correct type of structure and assess the strength of the roof.