

Instruction:

Installation of PV structures - ceramic roof tiles

Tools needed:



grinder



Allen key size 6



Cordless Drill



key size 15

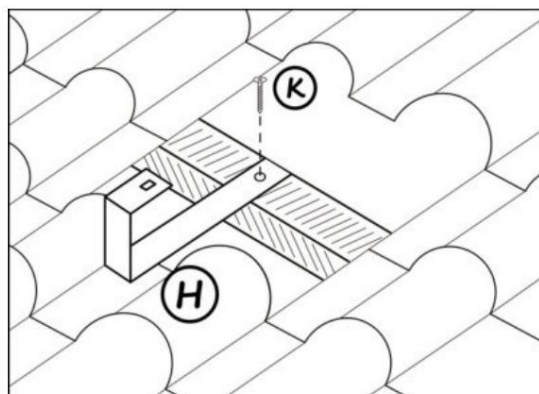
Construction elements:

NAME	CODE	
A - Aluminum profile	PV-01-06	
B - Nut M10	PV-13-02	
C - Sliding nut	PV-05	
D - Hammer screw	PV-12-08	
E - Allen Screw	PV-10-01	
F - Terminal clamp	PV-03-01	
G- Profile Connector	PV-18-01	
H - Roof Hook	PV-08-01	
I - Central clamp	PV-04-01	
J - Earthing washer	PV-20-01	
K - Wood screw	PV-16-01	

Installation:

1.

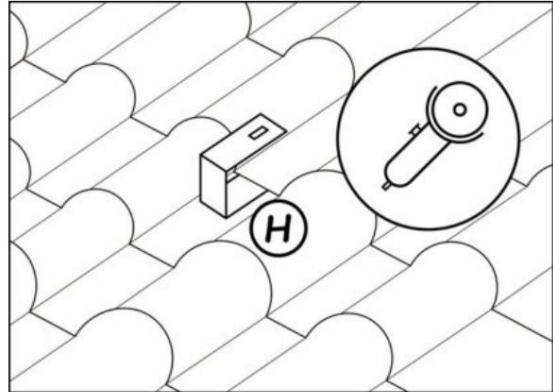
Locate the battens on the roof and pull off carefully remove the tile above the over the batten. Then screw the the bracket (H) on the roof batten using screws (K).



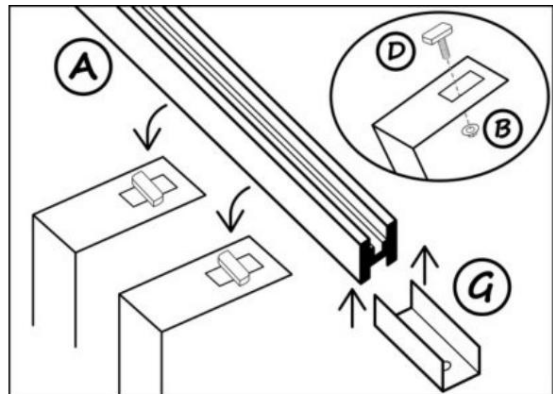
Instruction:

Installation of PV structures - ceramic roof tiles

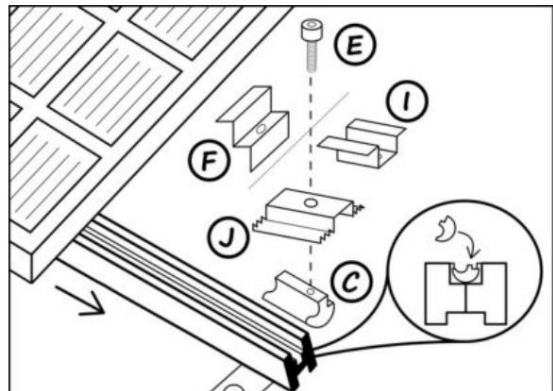
2. Once the brackets have been screwed in place, slide the tile into place, in many cases it will require sanding. For this For this, use an angle grinder to cut a channel in the tile for the protruding foot. cut a channel in the tile for the protruding foot. Pay attention Make sure that the tile fits tightly to the others.



3. Place the hammer bolts (D) onto the screwed brackets, tightening them slightly with the nuts (B). When all hammer bolts are in place, place the aluminium profiles (A) on them and tighten. Connect the aluminium profiles to each other using the connector (G) and the hammer bolts with nuts.



4. Insert the sliding nuts (C) into the aluminium profiles, then, using the allen screws (E), lightly screw on the end clamps (F) and centre clamps (I) together with the washer. Once the photovoltaic panels are positioned in the correct places, tighten the allen screws.



This manual is a set of rules for the correct assembly of structure elements, it does not constitute a design or its substitute. The installer performing the installation must be properly trained and have appropriate authorizations for the work performed. The entire responsibility for proper installation rests with the installer, who should select the appropriate type of structure and assess the strength of the roof.